

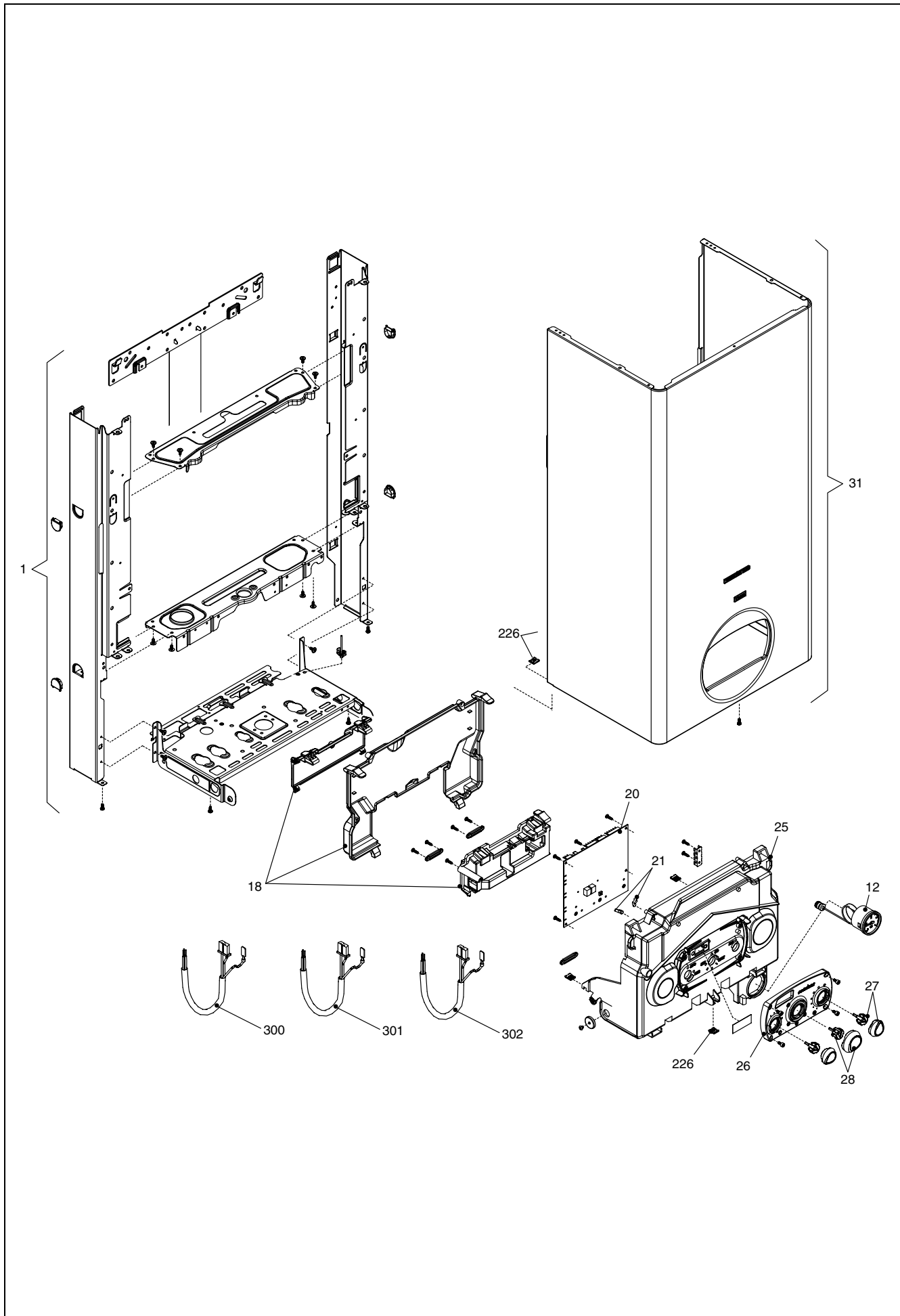


Wall hung boilers

Residence Condens 35 KIS e

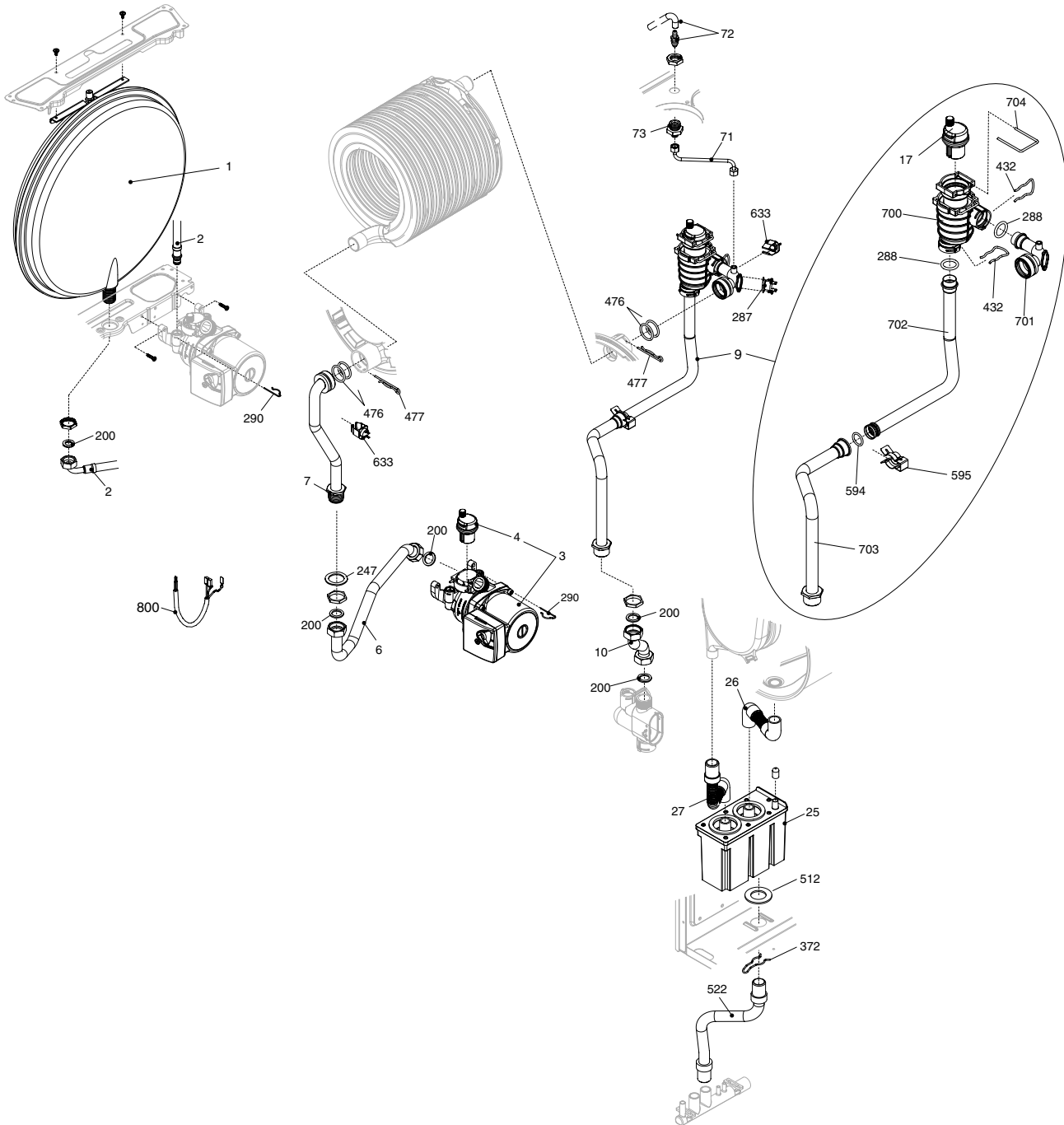


MODEL	PART NUMBER	
	MTN	GPL
Residence Condens 35 Kis e	20034498 (G2F)	-



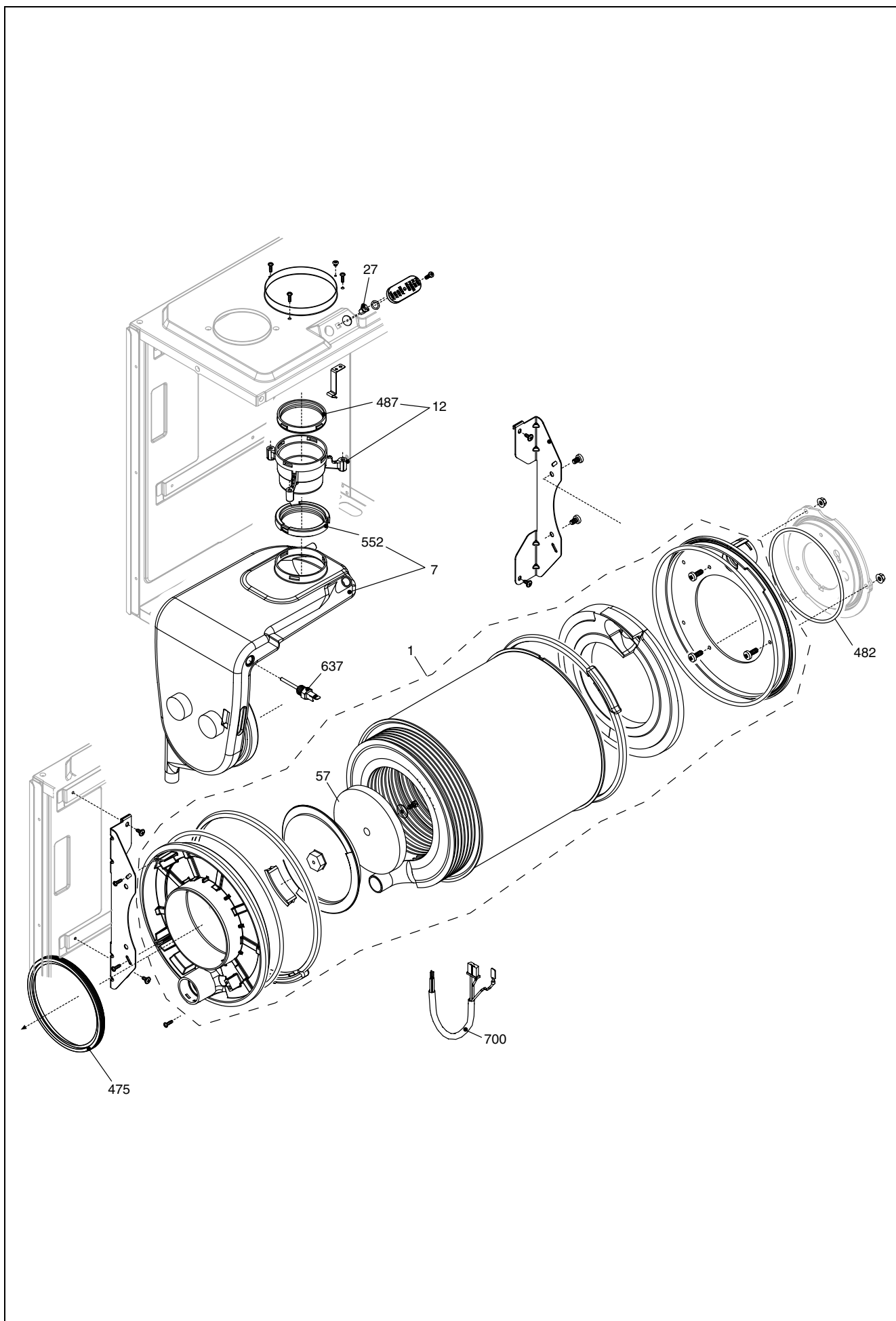
POS.	DESCRIPTION	35kis
1	Frame	4366034
12	Pressure gauge	4364942
18	Cover assembly	4366331
20	Printed circuit board	4366954
21	Led light guide	4366333
25	Instrumental plate	4366334
26	Instrumental panel	4366364
27	Knob	4366336
28	Knob	4366337
31	Case	4366368
226	Clip	4363594
300	Spark electrode cable	4365840
301	Power wiring harness	4366343
302	Low tension cable	4R000456

POS.	DESCRIPTION	35kis
1	Exchanger	4365587
2	Hydraulic group	4365951
3	Water pressure switch	4366076
4	Non return valve	4365749
6	By-pass casing	4365750
7	By-pass valve	4365043
8	Pipe	4365732
9	Valve with cartridge	4366914
10	Cartridge	4366915
11	Actuator	4366916
13	Clip	4366918
20	Filling cock	4365751
21	Knob	4364248
22	Safety valve	4365754
24	Flow governor	4365786
25	Pipe	4365733
26	Dhw actuator	4365081
27	Pipe	4365756
28	Pipe	4365757
29	Pipe	4365758
30	Water supply stop cock	4365144
33	Insulator	4R000139
37	Pipe	4366329
47	Cover for by-pass assembly	4365753
48	Cock	4365752
50	Cover assembly	4366000
65	Pipe	4365736
110	Condensing collector	4365850
111	Flexible pipe	4365927
200	Washer	4363389
201	Washer	4363391
288	Ring	4364282
290	Clip	4364751
430	Connection	4365614
431	Connection	4365615
432	Clip	4365623
433	Clip	4365761
434	Nipple	4365762
435	Fitting/union	4365763
436	Clip	4365764
438	O ring	4365766
439	Washer	4365767
441	Clip	4365768
442	O ring	4365769
443	O ring	4365770
444	Washer	4365771
521	NTC sensor	4365765
574	Flexible pipe	4366295
598	Pipe	4365849



POS.	DESCRIPTION	35kis
1	Expansion vessel	4365006
2	Pipe	4365695
3	Pump	4365963
4	Air vent bottle	4365707
6	Pipe	4365852
7	Pipe	4365853
9	Kit degasser + tube	4367123
10	Pipe	4366369
17	Air vent valve	4366956
25	Condensate reservoir	4366066
26	Flexible pipe	4365920
27	Flexible pipe	4365921
71	Pipe	4367124
72	Vent plug	4365159
73	Cock	4366067
200	Washer	4363389
201	Washer	4363391
247	Washer	4363987
287	High limit	4364948
288	Ring	4364282
290	Clip	4364751
372	Clip	4365546
432	Clip	4365623
477	Split pin	4365861
512	Washer	4365918
522	Condensing pipe	4365859
594	Washer	4367112
595	Clip	4367108
633	Water detector	4365863
700	Degasser kit	4366959
701	Pipe	4366960
702	Pipe	4366961
703	Pipe	4R000033
704	Clip	4366963
800	Pump cable	4366964

POS.	DESCRIPTION	35kis
1	Roomsealed chamber	4366370
2	Air chamber side	4365865
3	Fan	4366352
4	Burner assembly	4366974
5	Spark / ignition electrode	4366966
6	Condense electrode	4365868
12	Gas pipe	4366372
13	Gas valve	4366231
15	3/4" gas cock	4364741
16	Air chamber access panel	4365870
19	Burner observation port kit	4365871
27	Hole cover	4366888
35	Air/gas manifold	4366356
39	Pipe	4365931
46	Gas diaphragm 6,7	4365930
46	Gas diaphragm 5,0	4366631
67	Washer Ø 62	4365875
69	Protection	4366968
72	Mixer red	4366953
79	Flame sensor	4366361
88	Blower heat shield	4366454
200	Washer	4363389
486	O ring	4366235
497	Washer	4365897
613	Ignition transformer	4366419
700	Ignition cable	4366434
701	Gas valve cable	4366341
800	G20 conversion kit	4366153
801	LpG conversion kit	4R000690



POS.	DESCRIPTION	35kis
1	Condensing exchanger	4367083
7	Conveyor	4365894
12	Flue drain connection	4365881
27	Nut screw	4365090
57	Tryton	4R000521
475	Outlet heat exch.seal gasket	4365886
482	Inlet heat exch.seal gasket	4365888
487	Washer Ø 60	4365889
552	Washer Ø 60	4366238
637	Flue sensor	4366463
700	Combustion cable whit temperature detector	4366499

Rev.	data	Descrizione
1.0	19/04/2011	Aggiunte trasformazioni gas – Inserito tryton scambiatore condensante E00120110166 : eliminata protezione curva scambiatore



Riello reserve the right to change the specifications without prior notice.
Consumers' statutory rights are not affected.